



AREAS OF APPLICATION

- Food processing plants
- Hygienic warehouses & factories
- Laboratories, food preparation, food storage zones & clean areas

PRODUCT BENEFITS

- Improved glare control through recessed light engine & optional diffusers with excellent light performance
- High quality polycarbonate optics
- Hydrophobic fitting finishes & curved design deliver superior dust & water control
- Unique internal thermal management structure and high Luminous Flux
- Non-toxic corrosion resistant aluminum exterior Complete smooth surface for easy cleaning

PRODUCT FEATURES

- NFS Food Certificate
- IP69K and 5 Years Warranty.
- No exposed hardware as per FDA regulations

TECHNICAL DATA

Electrical data

Rated power	150 W
Operating voltage	AC100-277V
Operating frequency	50/60Hz
Power factor	0.90

Photometrical data

Color temperature	2700-6500K
Luminous flux	19320±1500lm
Color rendering index Ra	>80

Light Technical Data

Beam angle	110°
------------	------

Dimensions

Length	Ø418mm
Width	206mm

Temperature & operating conditions

Ambient Temperature	-30°~+50°C
---------------------	------------

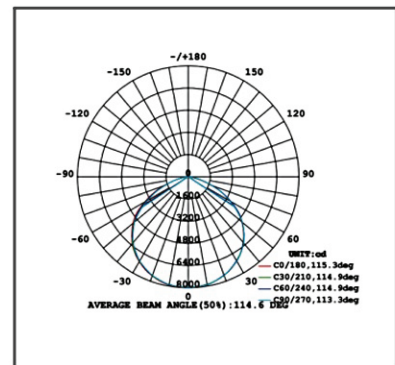
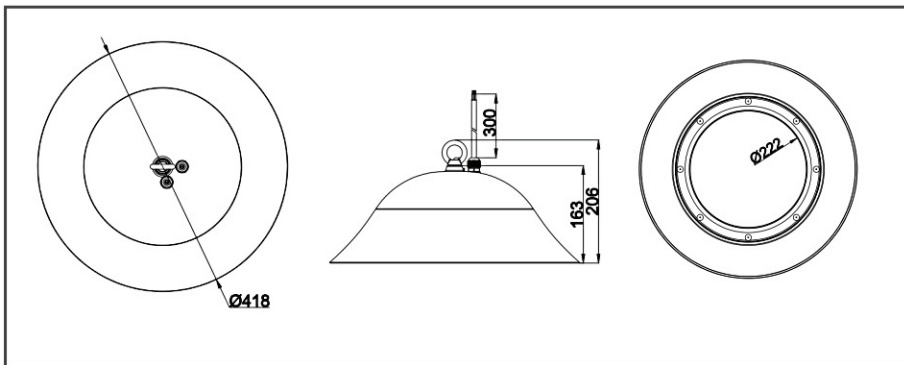
General information

Mounting type	Surface
LED type	SMD LED
Lifespan	50,000h



SPECIFICATION				
MODEL	LUMINOUS EFFICIENCY	POWER	IP RATING	DIMMABLE
CLX HB05-150W	130±10lm/W	150W	69K	NO

TECHNICAL DRAWING



- Lifting ring bolt; stainless steel with white electrophoretic paint
- Top aluminum housing part completely enclosing the driver
- Internal isolated power driver; well protected against water and humidity
- Industrial rated cooling grease
- High quality polycarbonate cover to protect the LED chips
- Ring cover frame with stainless steel screws to hold the optic system in place
- Dual cable entry for optional dimming
- PC driver cover
- Driver bottom plate
- Aluminum PCB with a high thermal conductivity rating for up to 336 pcs of EMC3030 chips
- Industrial rated silicon gasket for an IP class of IP69K

